

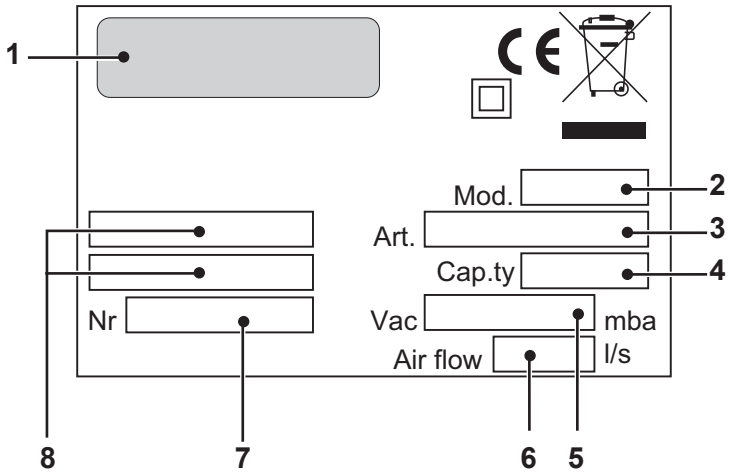
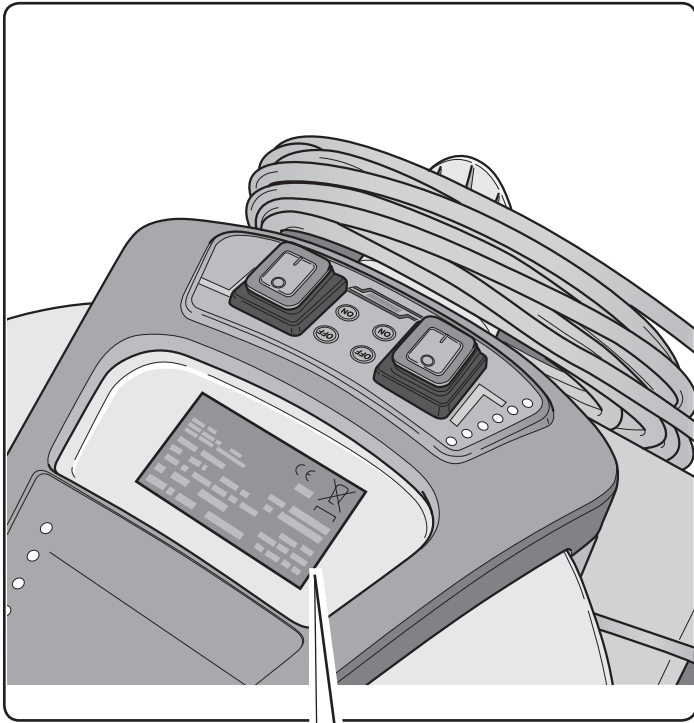


POWER EXTRA 11-21-31

EN Use and Maintenance

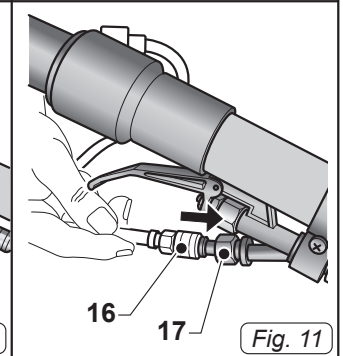
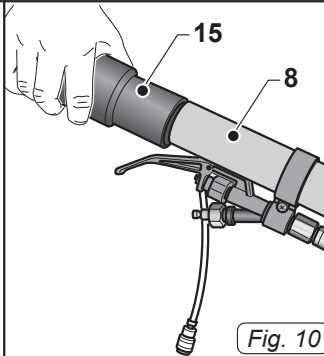
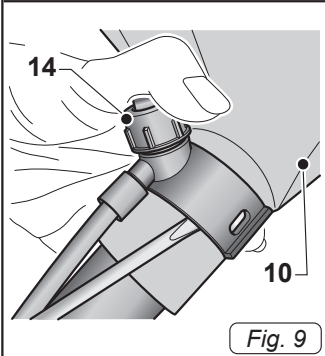
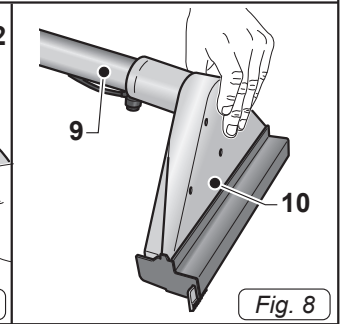
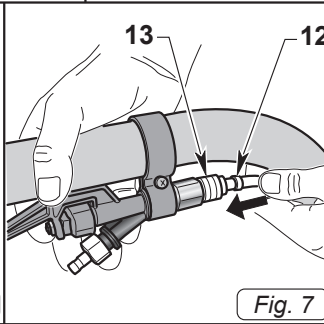
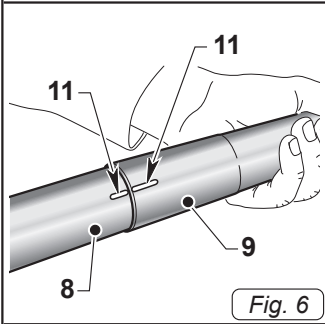
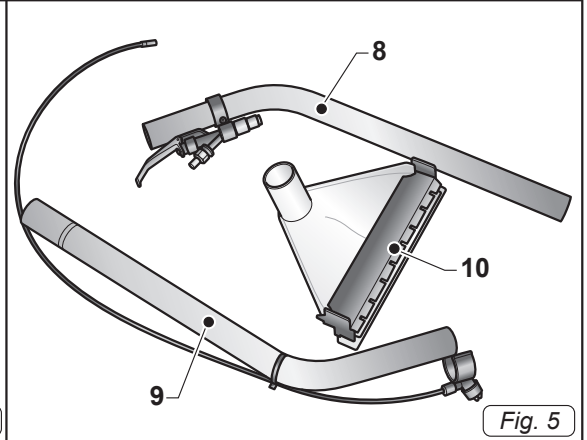
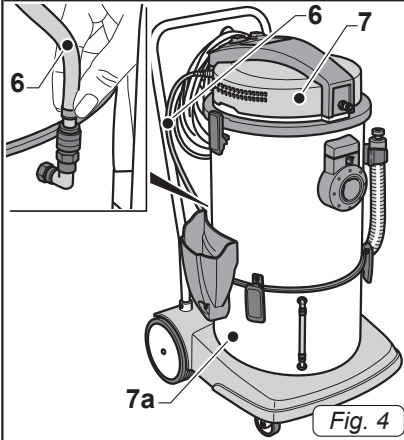
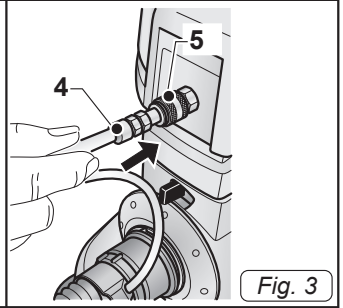
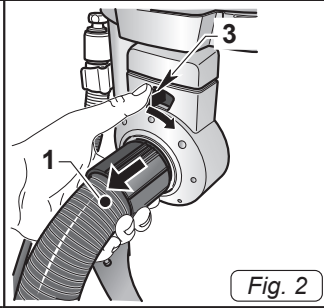
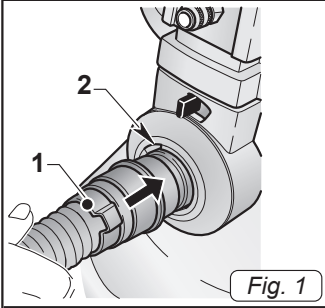


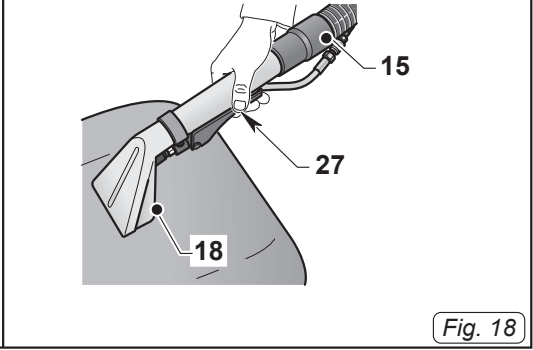
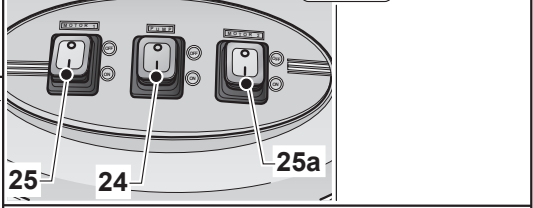
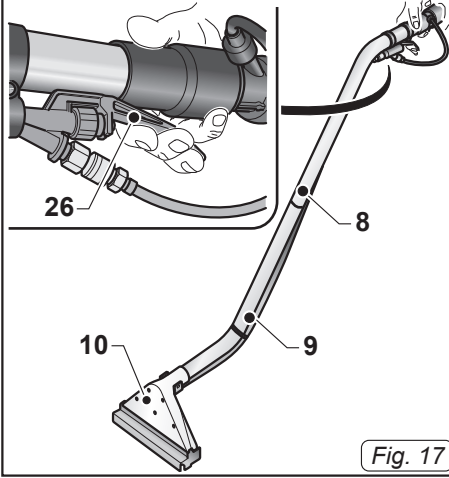
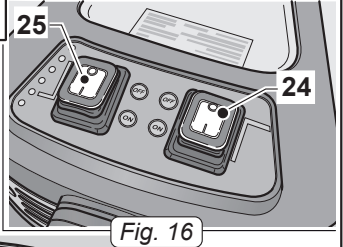
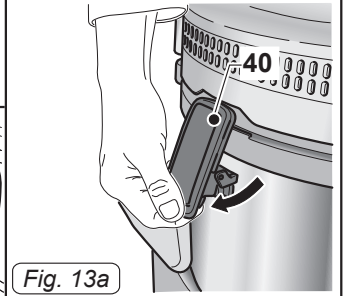
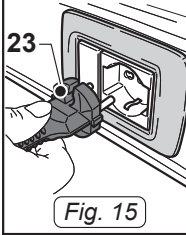
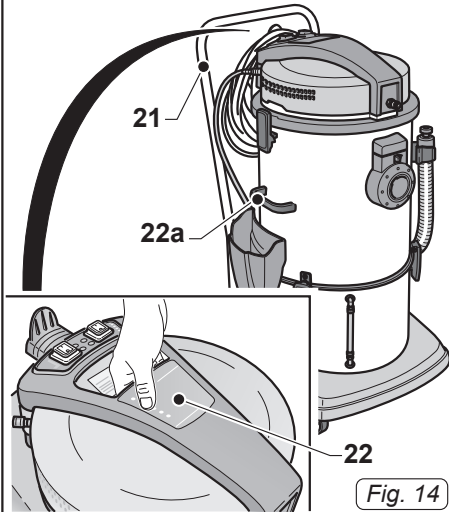
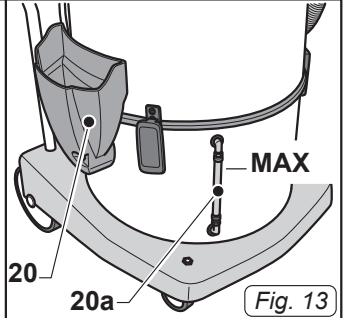
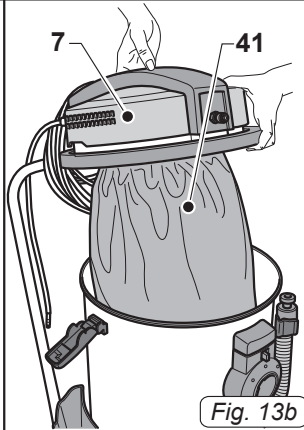
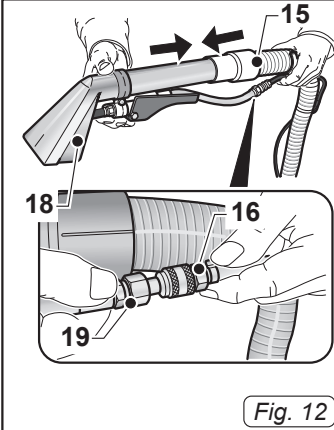
idei FJ
^a^e-EGG

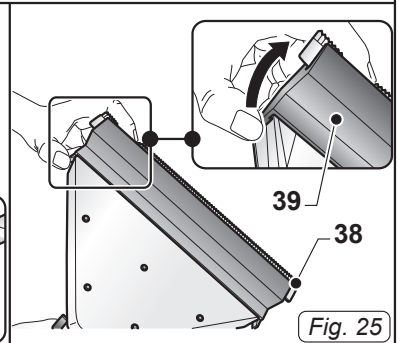
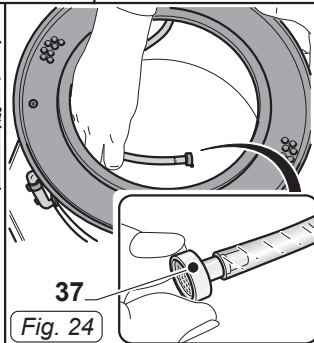
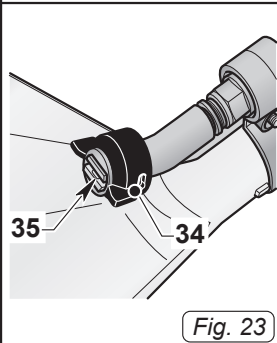
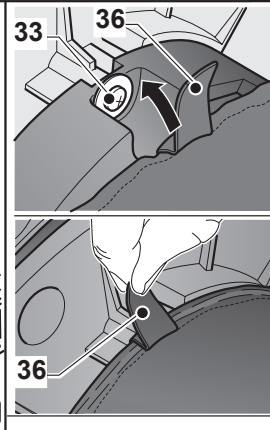
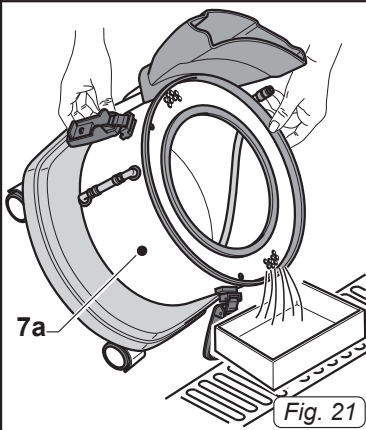
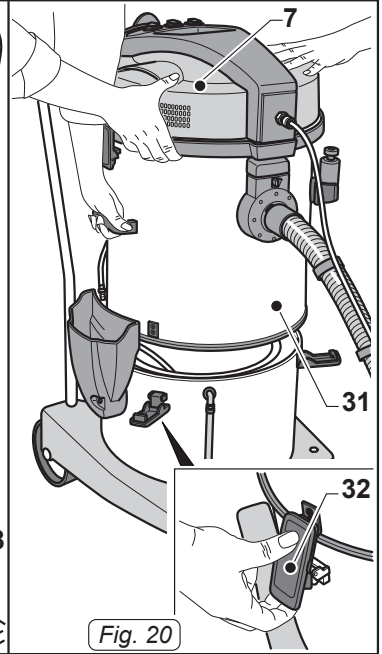
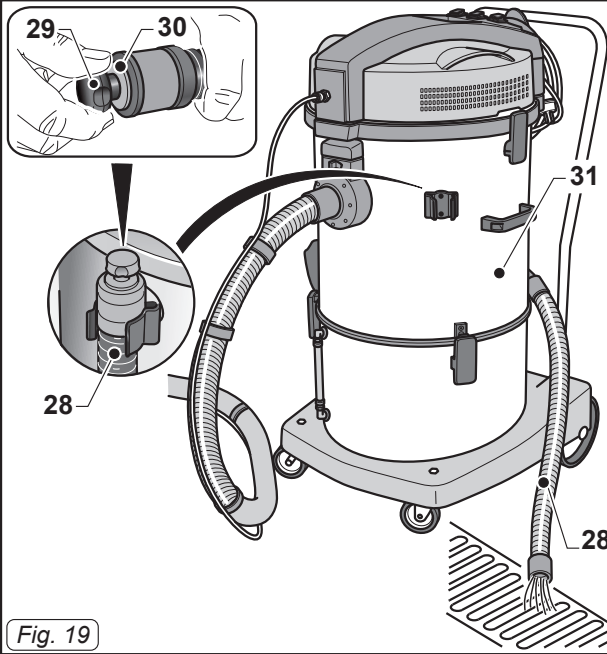


	1	2	3	4
IT	Produttore	Modello	Articolo	Capacità fusto
EN	Manufacturer	Model	Article	Container capacity
FR	Producteur	Modèle	Article	Capacité de la cuve
DE	Hersteller	Modell	Artikel	Fassungsvermögen des Körpers
ES	Fabricante	Modelo	Artículo	Capacidad del bidón
PT	Produtor	Modelo	Artigo	Capacidade do reservatório
NL	Producent	Model	Artikel	Inhoud reservoir
CS	Výrobce	Model	Typ	Obsah nádoby
RU	Изготовитель	Модель	Артикул	Емкость бака
AR	الصانع	الطرز	النوع	سعة الخزان

	5	6	7	8
IT	Capacità aspirazione	Portata d'aria	N° Matricola	Caratteristiche elettriche
EN	Vacuum	Air flow	Serial N°	Electrical characteristics
FR	Capacité d'aspiration	Débit d'air	N° Matricule	Caractéristiques électriques
DE	Ansaugleistung	Luftdurchsatz	Matrikelnr.	Elektrische Eigenschaften
ES	Capacidad de aspiración	Caudal de aire	N° Matricola	Características eléctricas
PT	Capacidade de aspiração	Caudal de ar	Número de série	Características elétricas
NL	Zuigcapaciteit	Luchtdebiet	Serienummer	Elektrische eigenschappen
CS	Sací výkon	Množství dopravovaného vzduchu	Výrobní č.	Elektrické údaje
RU	Мощность всасывания	Расход воздуха	Заводской №	Электрические характеристики
AR	قدرة الشفط	تدفق الهواء	الرقم التسلسلي	المواصفات الكهربائية









English EN - 1
(Translation of original instructions)

TECHNICAL CHARACTERISTICS

	M11	M21	M31	M31 (UIka)
Voltage	230	230	230	230
Motor power (W)	1100	1350	2200	2200
Pump power (W)	48	48	60	48
Sound level	60 dB(A)	62 dB(A)	62 dB(A)	62 dB(A)
Vacuum (mbar)	235	260	225	225
Recovery tank useful capacity	12 l	22 l	32 l	32 l
Detergent tank capacity	11 l	21 l	31 l	31 l
Dimensions	760 H x 420 x 550 mm	920 H x 530 x 520 mm	1040 H x 660 x 550 mm	1040 H x 660 x 550 mm
Weight (without accessories)	16,5 kg	18,5 kg	26,5 kg	26 kg
Accessories	Ø 40 mm	Ø 40 mm	Ø 40 mm	Ø 40 mm

INTRODUCTION



DANGER:

Before using the appliance please read the booklet “**SAFETY INSTRUCTIONS FOR FANS**” attached to this.

This manual forms an integral part of the machine itself. It must therefore be kept in a safe place where it is accessible to all users (operators and maintenance personnel) throughout the life of the machine until it is scrapped.

TYPE OF USE

This appliance was designed for spray washing and extracting any type of fabric, carpet, car seats, floors etc.

It can be used as a vacuum cleaner and or solid and liquid suction unit with the appropriate accessories upon request.

It has only been designed for these uses.



DANGER:

The manufacturer can not be held responsible for any damage due to improper or incorrect use.

Any other use releases the manufacturer from liability for harm to persons and/or property and invalidates any warranty condition.

IMPROPER USE

Do not use the appliance to:

- Aspirate flammable, explosive, corrosive and toxic substances.
- Aspirate hot substances.
- Do not use the appliance in liquid suction mode to suction powder and vice versa.

Do not use the appliance in areas at risk of explosion.

PREPARING THE APPLIANCE

Assembling the hoses

- Insert, as far as possible, the sleeve (1 Fig. 1) of the suction hose into the nozzle (2 Fig. 1) on the drum.
- To release the sleeve (1 Fig. 2) turn the lever (3 Fig. 2) clockwise and then pull the sleeve outwards (1 Fig. 2).
- Connect the (4 Fig. 3) detergent delivery hose to the quick coupling (5 Fig. 3); to release it push the quick coupling (5 Fig. 3) inwards.
- Check that the detergent suction tube (6 Fig. 4) is properly connected to the cylinder head (7 Fig. 4) and the tank (7a Fig. 4) using the special quick couplings.

Rigid pipe assembly for washing carpets or floors (if present)

After connecting the suction hose to the outlet the drum, do as follows:

- Remove the hose from its stiff as follows:
 - Top Tube (8 Fig. 5).
 - Lower Hose (9 Fig. 5) complete with pipe cleaner and nozzle.
 - Nozzle for carpets and floor coverings (10 Fig. 5).
- Hook the two rigid extensions (8 and 9 Fig. 6), matching the two references (11 Fig. 6).
- Connect the hose (12 Fig. 7) coming from the nozzle quick connector (13 Fig.7) of the dispenser lever; push the lever to release, the quick connector (13 Fig.7).
- Insert the floor nozzle (10 Fig. 8) into the tube (9 Fig. 8).
- Place the nozzle (14 Fig. 9) on the mouthpiece (10 Fig. 9) hooking it into the appropriate bumps in the nozzle (10 Fig. 9).
- Insert the tube (8 Fig. 10) in the hose (15 Fig. 10)
- Connect the quick connector (16 Fig. 11) of the supply pipe to the fitting (17 Fig. 11) of the dispensing; to release the quick connector (16 Fig. 11) push lever to the outside of the tube.

Professional hose assembly for fabric washing (if present)

After connecting the suction hose to the outlet the drum, do as follows:

- Insert the fabric nozzle (18 Fig.12) into the flexible hose (15 Fig.12).
- Connect the detergent hose (19 Fig.12) to the quick coupling (16 Fig.12) on the flexible hose; to release it push the quick coupling (16 Fig.12) towards the hose.

Filling the detergent tank

- Pour in the load nozzle (20 Fig. 13) the liquid detergent suitable for the surface to be cleaned up to the maximum level indicated by the red ball positioned inside the transparent tube (20a Fig. 13).



NOTA:

During the washing operations control the level of the detergent through the level indicator (20a Fig. 13) and if necessary, restore the level as indicated above.



NOTE:

For detergent dosing refer to the manufacturer's instructions.

Checking the position of the filters

- Release the lever (40 Fig. 13a) and lift the head (7 Fig. 13b) by checking that there is a filter (41 Fig. 13b).
- Replace the head (7 Fig. 13b) and hook the lever (40 Fig. 13a).

USING THE APPLICANCE

- The device is equipped with wheels and then during use can be pushed by the handle (21 Fig. 14).
- To lift it up insert your fingers under the dedicated handle (22 Fig. 14) on the top of the cover of the single version motor or lift with the help of two people using the handles (22a Fig. 14)

Starting up the appliance

- Insert the plug (23 Fig. 15) into the electrical socket.
- For extraction washing, press the switch (24 Fig. 16) on "I" to start the detergent pump; the switch lights up.

Single motor

- Push the switch (25 Fig. 16) on "I" to start the suction motor; the switch lights up.

Double motor

- Depending on the power required it is possible to start only one motor by pressing the switch (25 Fig. 16) on "I" or both switches (25 and 25a Fig. 16) if a greater suction force is required.

When the switch pressed the corresponding button lights up.

NOTE:

The suction motor and the detergent pump operate independently; therefore, it is possible to:

- wash fabrics or floors/ carpets by starting only the detergent pump;
- wash and suction liquid simultaneously by starting up the detergent pump and suction motor at the same time;
- suction liquids by only starting the suction motor.

Washing floors or carpets

- For washing floors or carpeting is necessary to fit the rigid tube (8-9 Fig. 17) and the mouth floor (10 Fig. 17), if present.
- Put the nozzle (10 Fig. 17) perpendicular to the floor / carpet (see Figure 17).
- Start the suction motor and the detergent pump by pressing the relative switches (24 - 25 - 25a Fig. 16).
- Press the lever (26 Fig. 17) to deliver the cleaner, release to stop dispensing.
- The detergent released washes the floor/ carpet / and the dirty liquid is suctioned into the tank of the appliance.
For very dirty areas it is recommended you apply detergent to the dirty area without suctioning it; leave the detergent allowing it to work for several seconds and then wash the area and suction the dirt.

NOTE:

To prevent the detergent pump from breaking, it is recommended that you stop its operation, pushing the relative switch, when dosing has not occurred for several minutes.

NOTE:

When the recovery tank is full, noise increases and the appliance does not suction; therefore, switch it off and empty the tank as described in the relevant paragraphs.

Cleaning chairs

- Start the suction motor and the detergent pump by pressing the relative switches (24 - 25 - 25a Fig. 16).
- Place the mouthpiece on the fabric and press lightly ; than press the lever (27 Fig. 18) to deliver the cleaner, release to stop dispensing.
- For very dirty areas it is recommended you apply detergent to the dirty area without suctioning it; leave the detergent allowing it to work for several seconds and then wash the area and suction the dirt.

**NOTE:**

To prevent the detergent pump from breaking, it is recommended that you stop its operation, pushing the relative switch, when dosing has not occurred for several minutes.

**NOTE:**

When the recovery tank is full, noise increases and the appliance does not suction; therefore, switch it off and empty the tank as described in the relevant paragraphs

Switching off the appliance

- Press the switches (24 - 25 - 25a Fig. 16) to "0" to switch off the appliance; the lamps on the switches will go out.
- Remove the plug (23 Fig. 15) from the electrical socket.

CLEANING AND MAINTENANCE**DANGER:**

Before performing any maintenance operations, unplug the appliance from the electrical socket.

Daily cleaning**Emptying the recovery tank**

- Position yourself over a floor drain with the appliance.
- Detach the drain hose (28 Fig. 19) from its relative support.
- Unscrew the knob (29 Fig. 19) and remove the cap (30 Fig. 19) of the water drain hose (28 Fig. 19) and empty the liquid into the recovery tank (31 Fig. 19).

Cleaning the detergent dosing circuit

At the end of each workday, clean the detergent dosing circuit as follows to prevent clogging:

- Release pressure from the circuit by pressing, with dosing pump off, the lever (27 Fig. 18) or lever (26 Fig. 17).
- Disconnect the suction pipe detergent (6 Fig. 4).
- Release the levers (32 Fig. 20) and remove the complete cylinder head (7 Fig. 20) of the recovery tank (31 Fig. 20).
- Tilt the tank (7a Fig. 21) to discharge the detergent in a container.
- Wash the inside of the detergent container with running water.
- Reassemble all of the parts performing these operations in the reverse order.
- Pour clean water into the detergent container, electrically connect the appliance and start the dosing pump by pressing the switch (24 Fig. 16).
- Clean the circuit by pressing the lever (27 Fig. 18) or (26 Fig. 17), depending on the type of mouthpiece.
- Dispense the liquid from the nozzle until clean water comes out.
- Empty the water in the detergent tank as described above.

Cleaning the appliance body

- Clean the unit body with a cloth dampened with water or a mild detergent.
- Remove the cover as indicated previously and clean the inside of the tank with running water, leaving the drain hose open (28 Fig. 19) then reassemble everything proceeding in reverse order.

**DANGER:**

Do not wash the appliance using jets of water.

Periodic checks

Checking and cleaning the motor protection filter

- Remove the cylinder head as previously indicated.
- Remove the filter (41 Fig. 22)
- Wash the filter (41 Fig. 22) with warm running water removing all foreign particles and reassemble only after a thorough drying.
- Insert the filter (41 Fig. 22) on the motor hood then through the straps (36 Fig. 22) hooking the elastic part on the top of the filter with washers (33 Fig. 22).
- Reassemble in reverse order.

Cleaning the detergent dispensing nozzle

If you note that the detergent is not dispensed evenly, clean the nozzle as described below:

- Remove the ring nut (34 Fig. 23).
- Remove the nozzle (35 Fig. 23) and clean it with running water, if it is clogged use a pin being careful not to distort the shape of the nozzle.
- Reassemble all of the parts performing these operations in the reverse order.

Cleaning the detergent suction filter

If you note that the detergent is not being suctioned properly, check and clean the suction filter located inside the detergent tank.

- Remove the recovery tank as indicated above.
- Remove the filter (37 Fig. 24) and wash it under running water; if it is too clogged it should be replaced.
- Reassemble all of the parts performing these operations in the reverse order.

Replacing the floor nozzle squeegee (if present)

If when washing the floors the washing liquid is not suctioned properly and the floor or carpet remains wet, check the condition of the squeegee (38 Fig. 25).

If the blade is worn or damaged should be replaced by releasing the blade support (39 Fig. 25) from the nozzle.

When replacing the new blade pay attention to insert it properly into the mouthpiece, then press until you hear the click coupling (Fig. 26).

Checking the air outlet filter

- Loosen the screws (42 Fig. 27) and remove the cover (43 Fig. 27).
- Remove the wet sponges (36 Fig. 28).
- Clean the sponges with a jet of air (Fig. 29).

You can rinse the filter sponge in warm water and reassemble only after complete drying; if they are too dirty replace.

- Reassemble all the parts by following the dismantling process steps in the reverse order.

SPARE PARTS

Slide nozzle bodyCode 7217519

PROBLEM	CAUSE	SOLUTION
The vacuum cleaner does not work.	Switch not pressed.	Press the switch.
	Plug not inserted.	Insert the plug into the socket.
	Power cut.	Check the power line.
Suction is not satisfactory.	Accessories or tubes clogged.	Check and clean the flexible hose and the suction nozzle.
	Suction nozzle squeegee worn or damaged.	Check and replace the squeegee.
Detergent dispensing not even.	Nozzle clogged.	Clean nozzle.
	Filter clogged.	Clean suction filter.
Detergent dispensing not working.	Switch not pressed.	Press the switch.
	Thermal protection enabled.	Wait approx. 30 second for automatic reset.





DEALER



Cod. 8050819 - 4^a ed. - 03/2022

GHIBLI & WIRBEL S.p.A.

Registered office:

Via Enrico Fermi, 43 - 37136 Verona (VR) - Italy

Headquarters:

Via Circonvallazione, 5 - 27020 Dorno (PV) - Italy

P. +39.0382.848811 - F. +39.0382.84668 - M. info@ghibliwirbel.com

www.ghibliwirbel.com

100% MADE IN ITALY



ISO 9001

